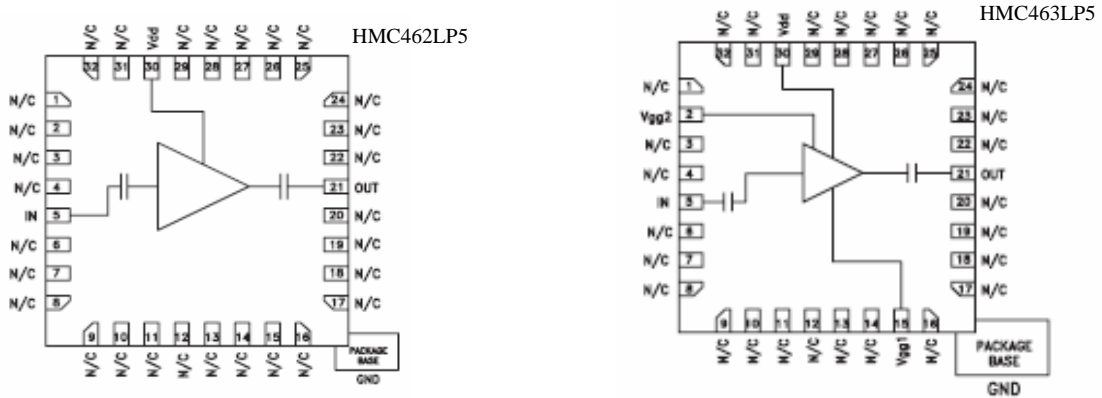


RoHS Compliant & Pb Free Product

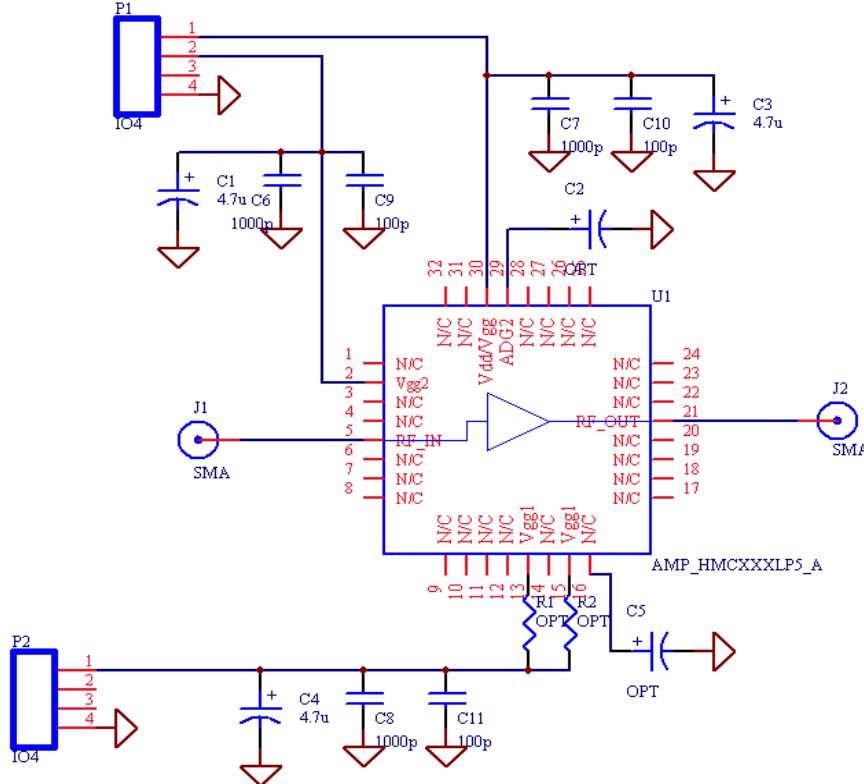
MC1-AM11A:

- Category: Amplifier
- Device Package: LP5
- Cell Size: Single (1x1)
- PCB Material/Layer Details: RO4350/2 layer with thickness 0.020"

Supported Device Package and Its Pin Allocation:



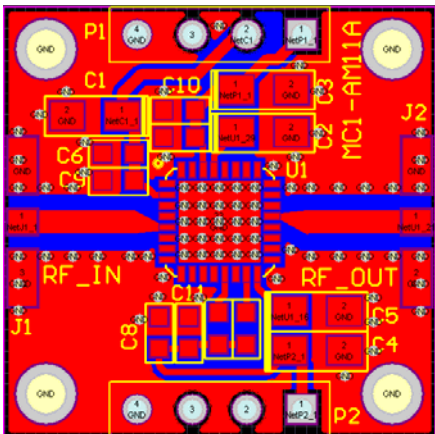
Schematic:



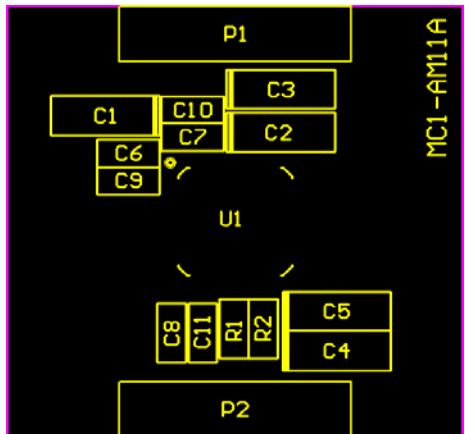
Option Table

	R1	R2	C2	C5
HMC462LP5	Neq	Neq	Neq	Neq
HMC463LP5	Neq	0	Neq	Neq

MC1-AM11A PCB Layout:



MC1-AM11A Assembly Drawing



Minimum supported devices and its vendors:

Hittite
HMC462LP5
HMC463LP5

Bill of Material Example:

```

sed Part Type                Designator Footprint
-----
3  4.7u                      C1 C3 C4      A
3  100p                      C9 C10 C11   0603
3  1000p                     C6 C7 C8     0603
1  AMP_HMCXXXXLP5_A         U1           LP5
2  IO4                       P1 P2       P2_CON4_S
2  OPT                       R1 R2       0603
2  OPT                       C2 C5       A
    
```