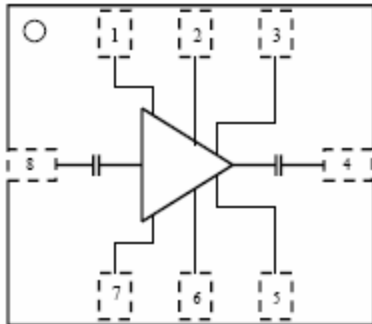
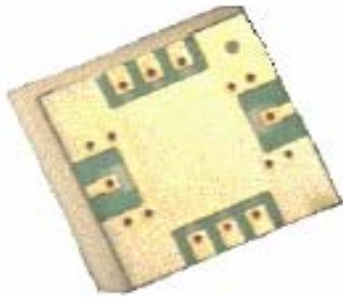


RoHS Compliant & Pb Free Product

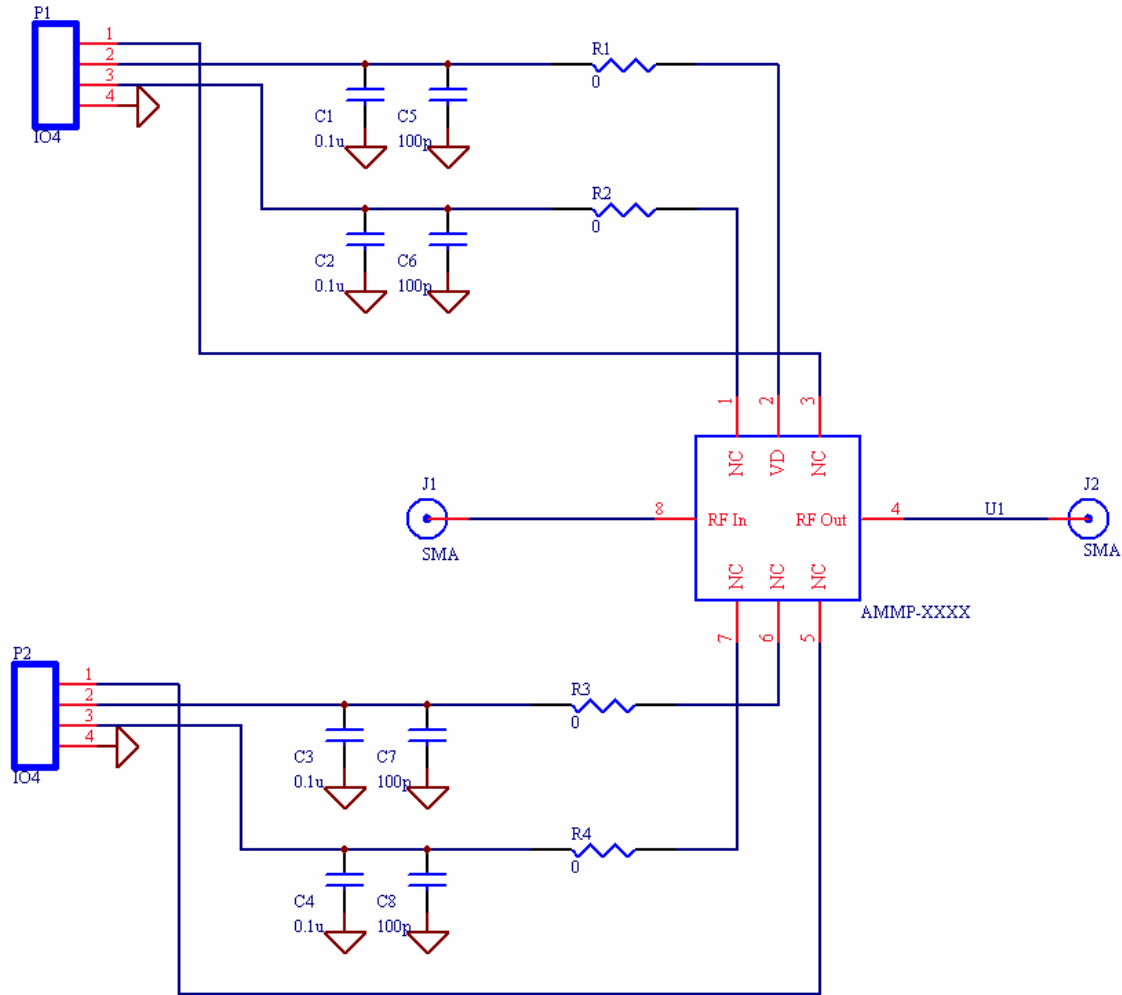
MC1-AM21A:

- Category: Amplifier
- Device Package: 5x5mm²
- Cell Size: Single (1x1)
- PCB Material/Layer Details: RO4350/2 layer with thickness 0.020"

Supported Device Package and Its Pin Allocation:



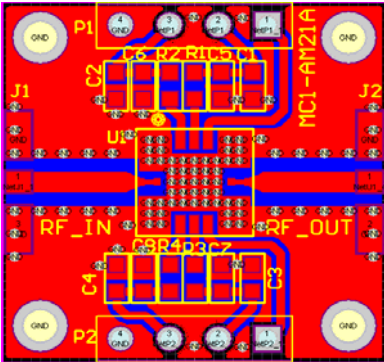
Schematic:



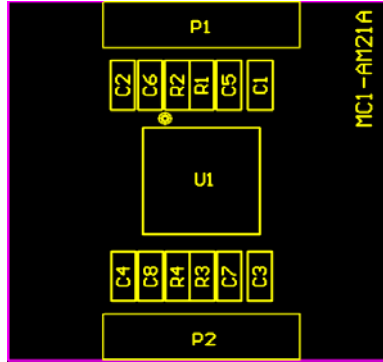
Option Table

	R1	R2	R3	R4
AMMP-6420	0	0	0	0
AMMP-6425	0	0	0	0
AMMP-6430	0	0	0	0

MC1-AM21A PCB Layout:



MC1-AM21A Assembly Drawing



Minimum supported devices and its vendors:

Avago
AMMP-6420
AMMP-6425
AMMP-6430

Bill of Material Example:

Used	Part Type	Designator	Footprint
4	0	R1 R2 R3	0603
		R4	
4	0.1u	C1 C2 C3	0603
		C4	
4	100p	C5 C6 C7	0603
		C8	
1	AMMP-XXXX	U1	AMMP-5618
2	IO4	P1 P2	P2_CON4_S