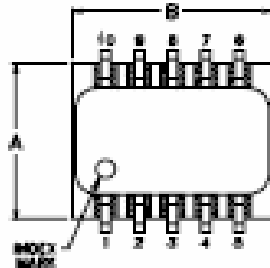


RoHS Compliant & Pb Free Product

MC1-MI08A:

- Category: Mixer
- Device Package: SM2-LD (Mini-Circuits)
- Cell Size: Single (1x1)
- PCB Material/Layer Details: RO4350/2 layer with thickness 0.020"

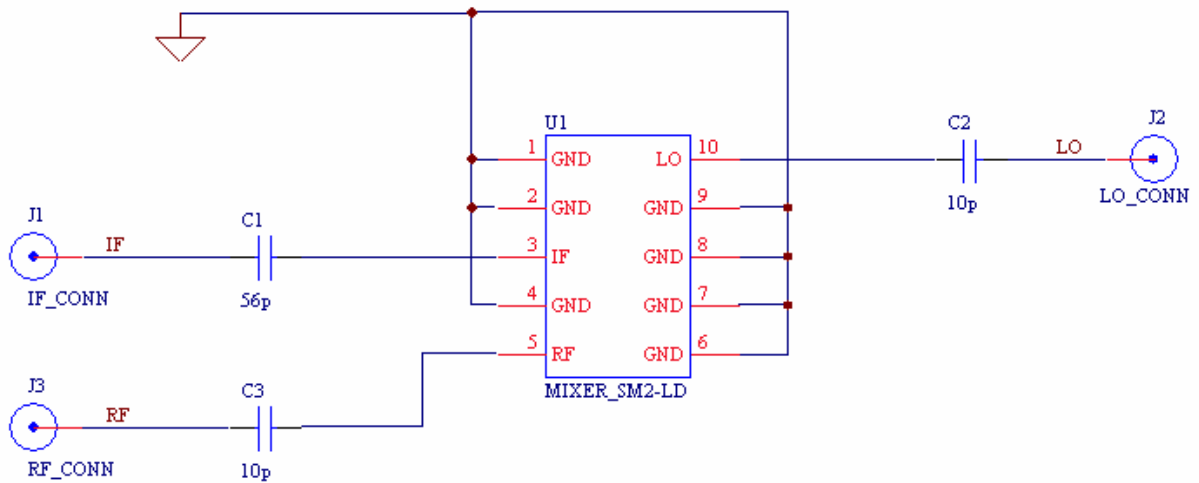
Supported Device Package and Its Pin Allocation:



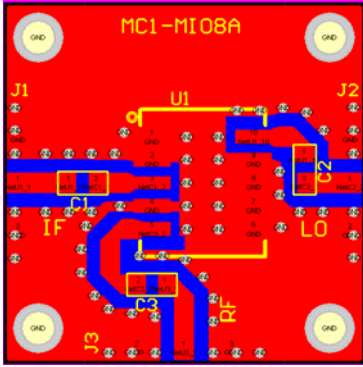
Pin	Function
10	LO
5	RF
3	IF
1,2,4,6,7,8,9	GND

MBA-10L
MBA-15L
MBA-25L

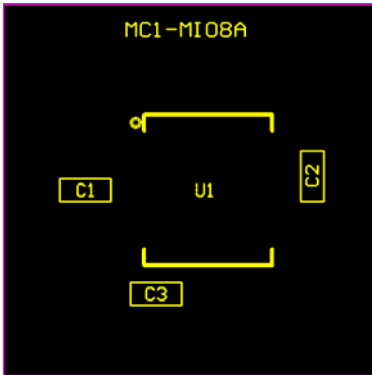
Schematic:



MC1-MI08A PCB Layout:



MC1-MI08A Assembly Drawing:



Minimum supported devices and its vendors:

Mini-circuits
MBA-10L
MBA-15L
MBA-25L

Bill of Material Example:

Used	Part Type	Designator	Footprint
2	10p	C2 C3	0603
1	56p	C1	0603
1	MIXER_SM2-LD	U1	SM2