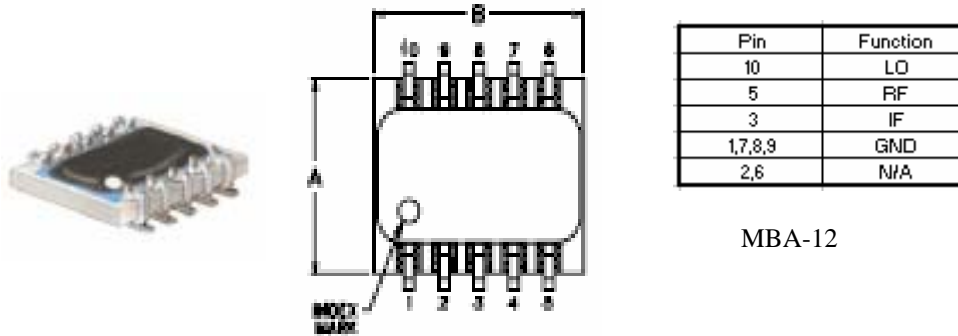


**RoHS Compliant & Pb Free Product**

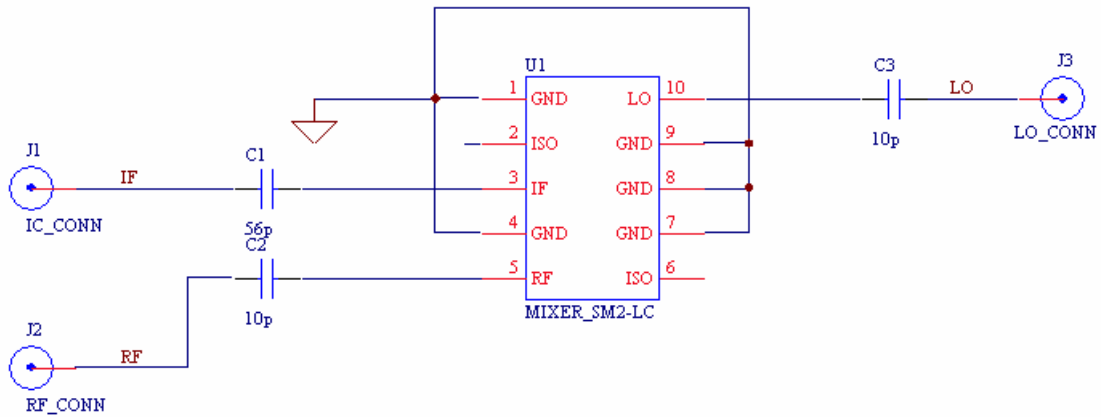
**MC1-MI07A:**

- Category: Mixer
- Device Package: SM2-LC (Mini-Circuits)
- Cell Size: Single (1x1)
- PCB Material/Layer Details: RO4350/2 layer with thickness 0.020"

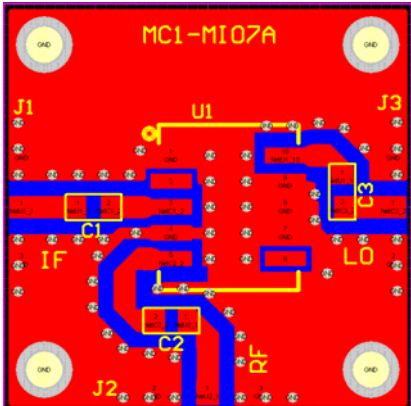
**Supported Device Package and Its Pin Allocation:**



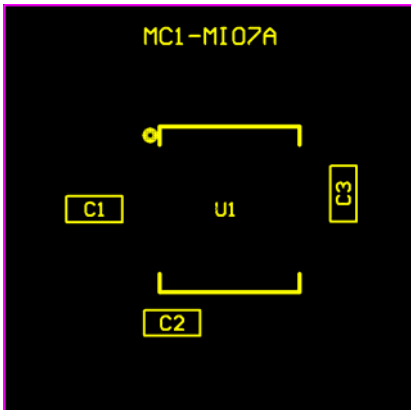
**Schematic:**



**MC1-MI07A PCB Layout:**



**MC1-MI07A Assembly Drawing:**



**Minimum supported devices and its vendors:**

Miri-circuits
MBA-12

**Bill of Material Example:**

Used	Part Type	Designator	Footprint
2	10p	C2 C3	0603
1	56p	C1	0603
1	MIXER_SM2-LC	U1	SM2