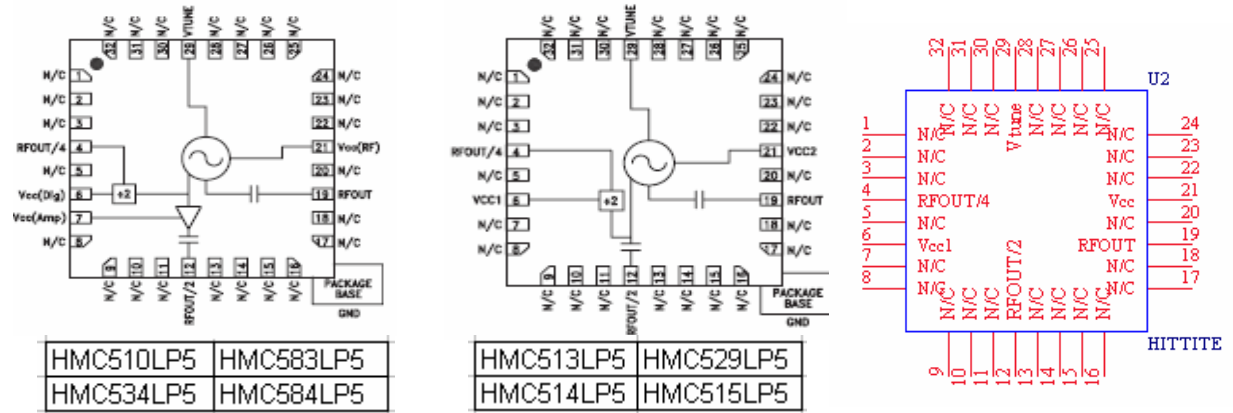


**RoHS Compliant & Pb Free Product**

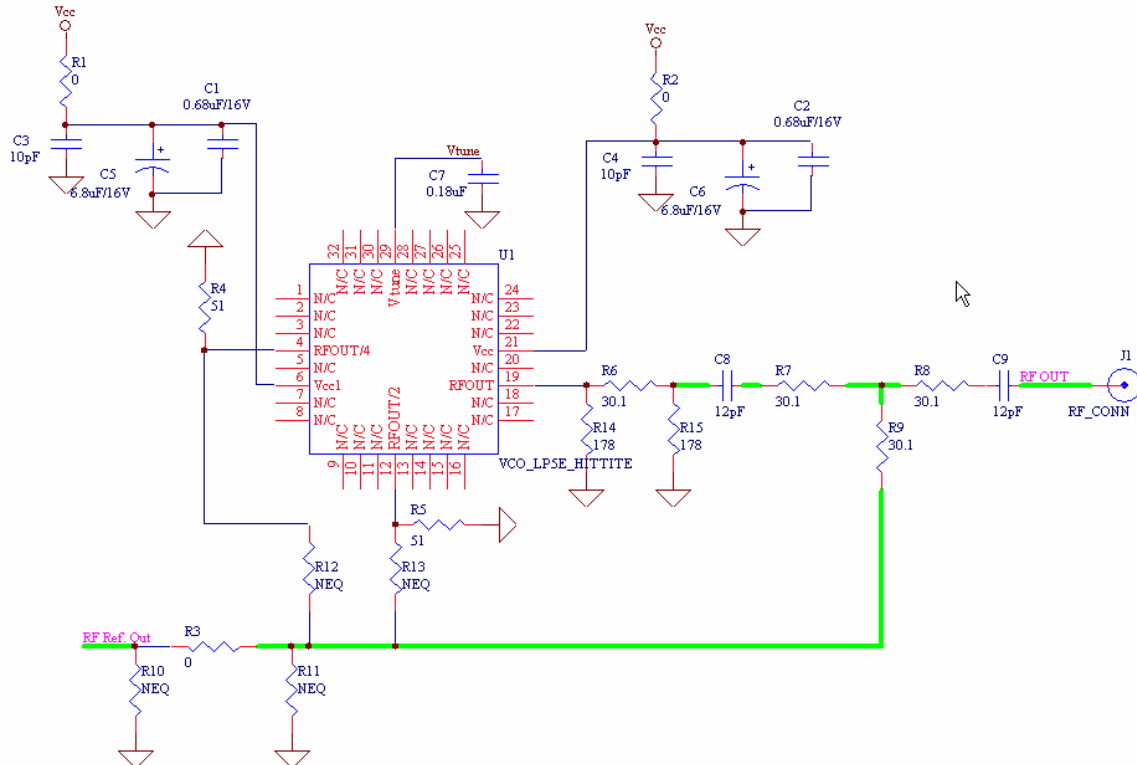
**MC1-VC08A**

- Category: VCO (detail refer to MC1-AN003 under Application Examples)
- Device Packages : LP5 (Hittite)
- Cell Size: Single (1x2)
- PCB Material/Layer Details: RO4350/4 layer with thickness 0.030"

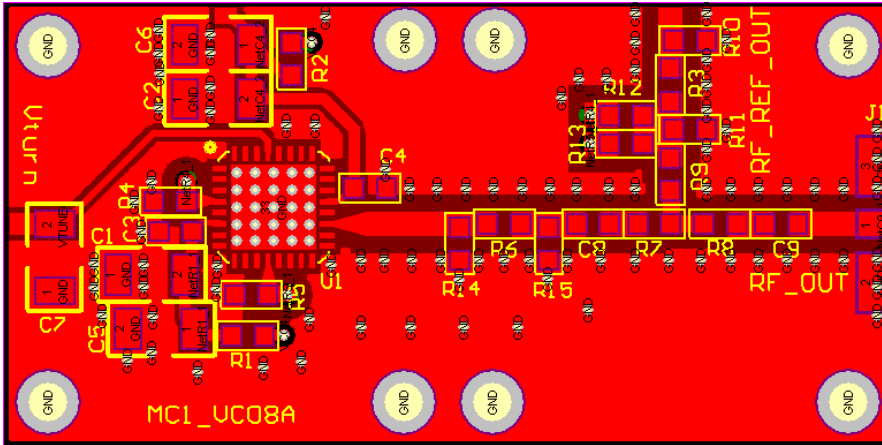
**Supported Device Package and Its Pin Allocation:**



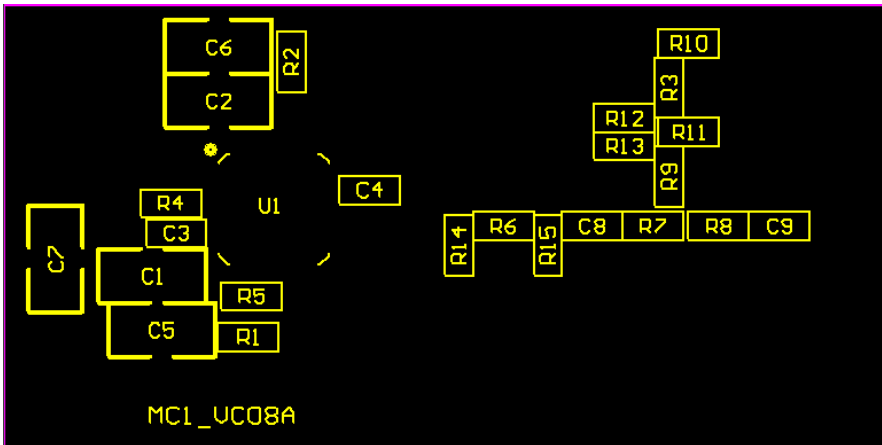
**Schematic:**



**MC1-VC08A PCB Layout:**



**MC1-VC08A Assembly Drawing:**



**Minimum supported devices and its vendors:**

Hittite
HMC510LP5
HMC513LP5
HMC514LP5
HMC515LP5
HMC529LP5
HMC534LP5
HMC583LP5
HMC584LP5

Bill of Material Example:

Used	Part Type	Designator	Footprint
3	0	R1 R2 R3	0603
1	0.18uF	C7	1206
2	0.68uF/16V	C1 C2	1206
2	6.8uF/16V	C5 C6	1206
2	10pF	C3 C4	0603
2	12pF	C8 C9	0603
4	30.1	R6 R7 R8 R9	0603
2	51	R4 R5	0603
2	178	R14 R15	0603
4	NEQ	R10 R11 R12 R13	0603
1	VCO_LP5E_HITTITE	U1	LP5