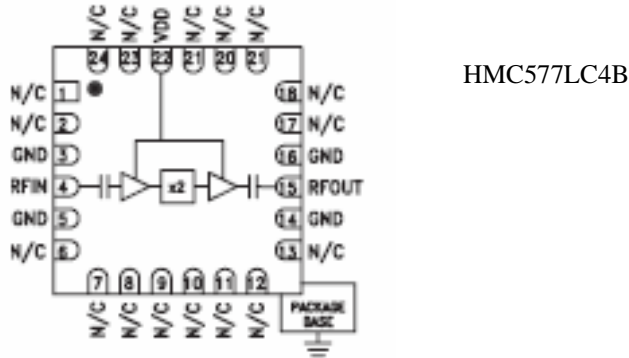


**RoHS Compliant & Pb Free Product**

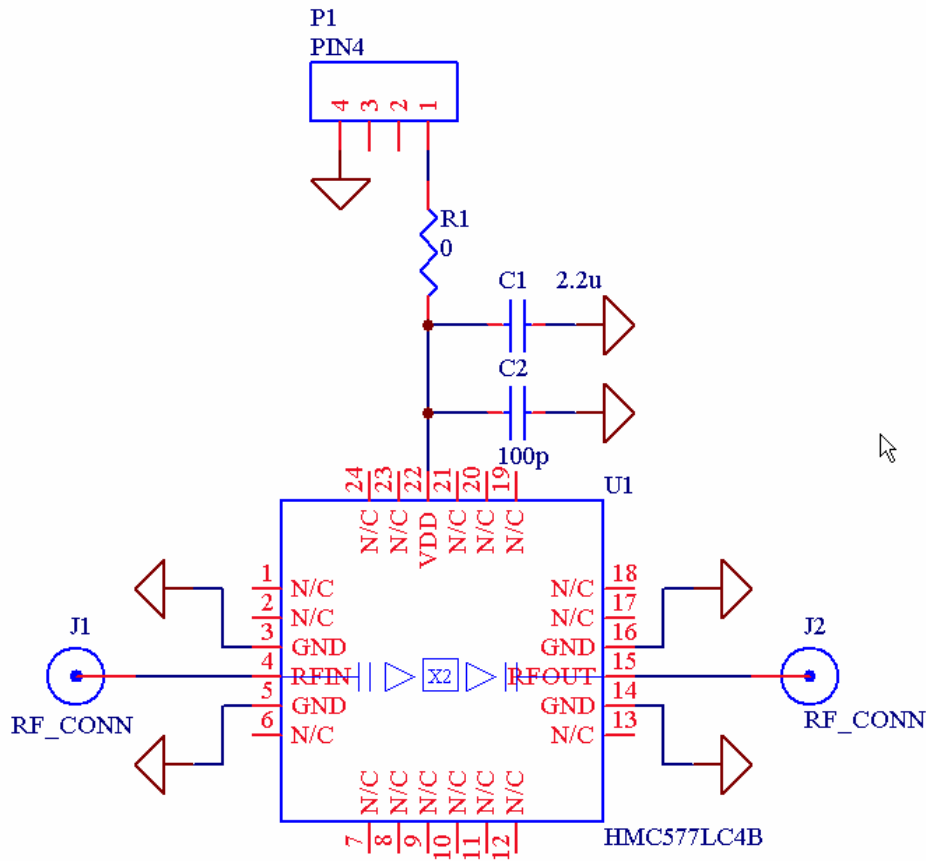
**MC1-MU04A:**

- Category: Multiplier
- Device Package: LC4B
- Cell Size: Single (1x1)
- PCB Material/Layer Details: RO4350/Single layer with thickness 0.020"

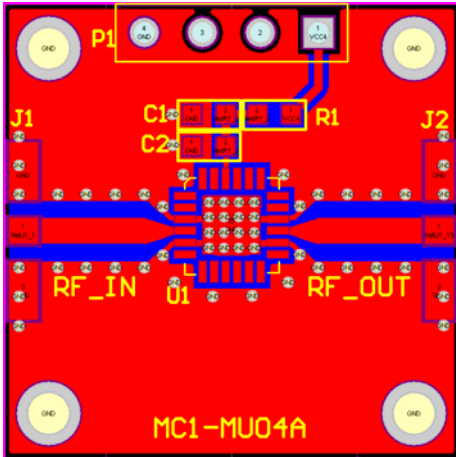
**Supported Device Package and Its Pin Allocation:**



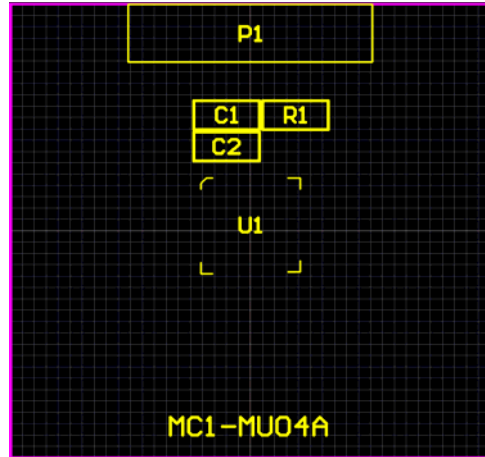
**Schematic:**



**MC1-MU04A PCB Layout:**



**MC1-MU04A Assembly Drawing:**



**Minimum supported devices and its vendors:**

Hittite
HMC577LC4B

**Bill of Material Example:**

Used	Part Type	Designator	Footprint
1	0	R1	0603
1	2.2u	C1	0603
1	100p	C2	0603
1	HMC577LC4B	U1	LC4B
1	PIN4	P1	P2_CON4_S