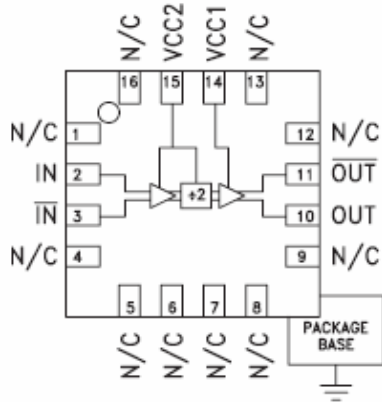


RoHS Compliant & Pb Free Product

MC1-PR01A

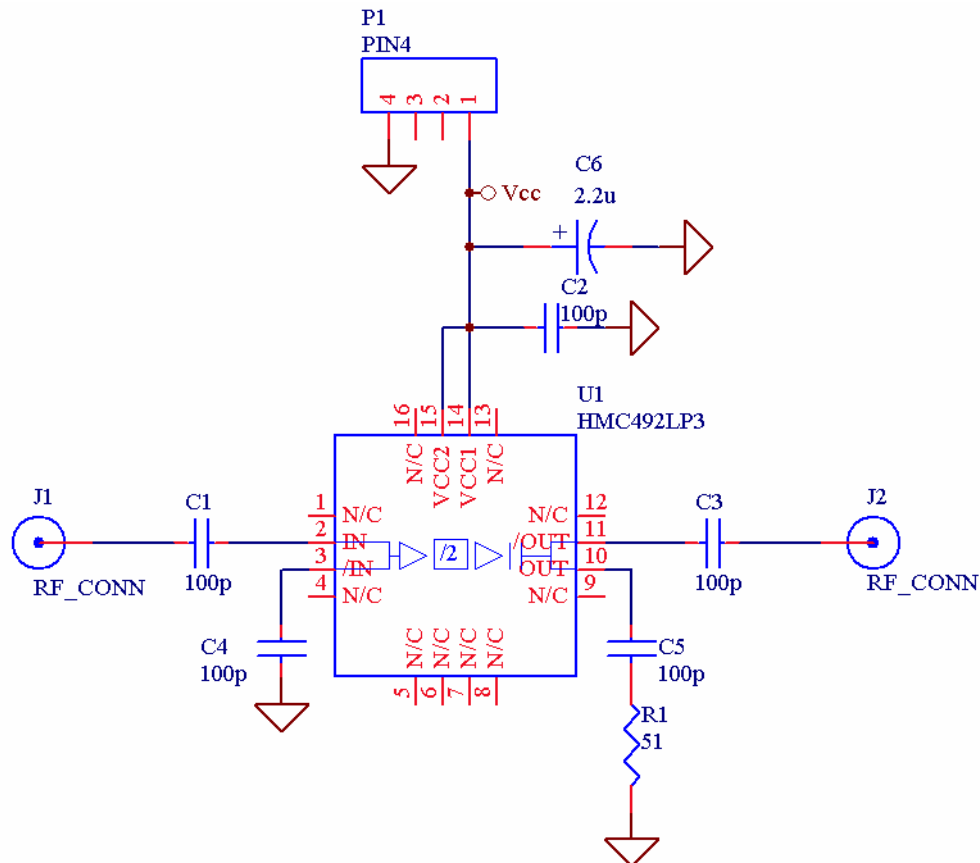
- Category: Prescaler
- Device Package: LP3
- Cell Size: Single (1x1)
- PCB Material/Layer Details: RO4350/Single layer with thickness 0.020"

Supported Device Package and Its Pin Allocation:

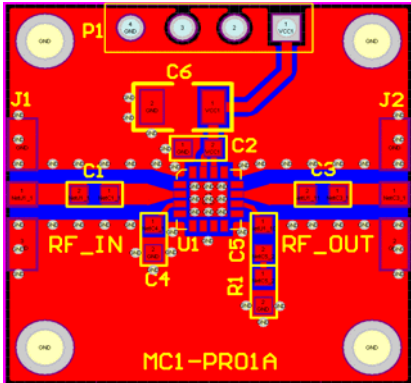


HMC492LP3
HMC493LP3
HMC494LP3

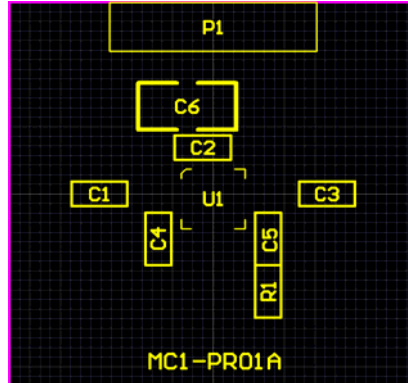
Schematic:



MC1-PR01A PCB Layout:



MC1-PR01A Assembly Drawing:



Minimum supported devices and its vendors:

Hittite
HMC492LP3
HMC493LP3
HMC494LP3

Bill of Material Example:

Used	Part Type	Designator	Footprint
1	2.2u	C6	1206
1	51	R1	0603
5	100p	C1 C2 C3 C4 C5	0603
1	HMC492LP3	U1	LP3
1	PIN4	P1	P2_CON4_S