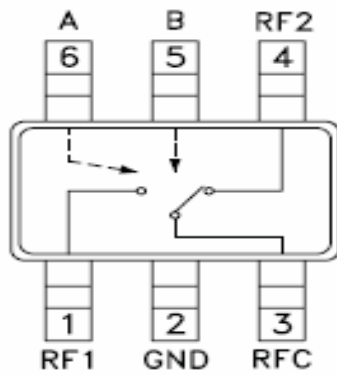


**RoHS Compliant & Pb Free Product**

**MC1-SW07A:**

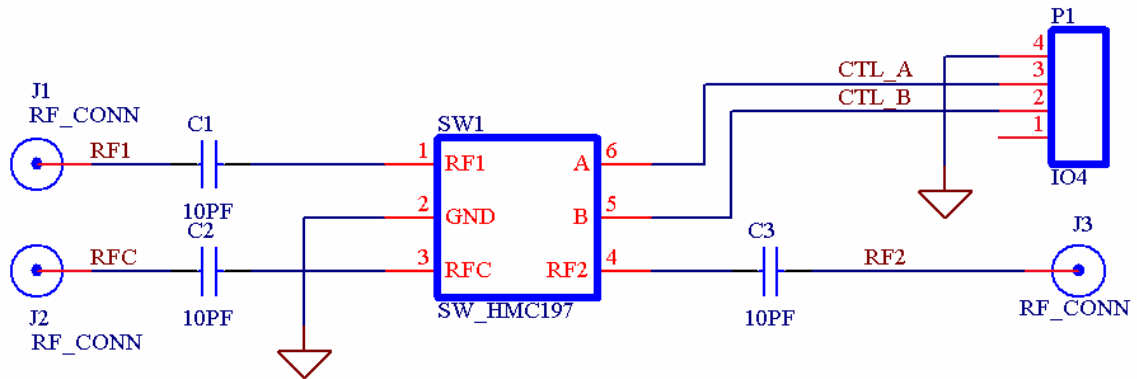
- Category: Switch
- Device Package: SOT-26
- Cell Size: Single (1x1)
- PCB Material/Layer Details: RO4350/Single layer with thickness 0.020"

**Supported Device Package and Its Pin Allocation:**

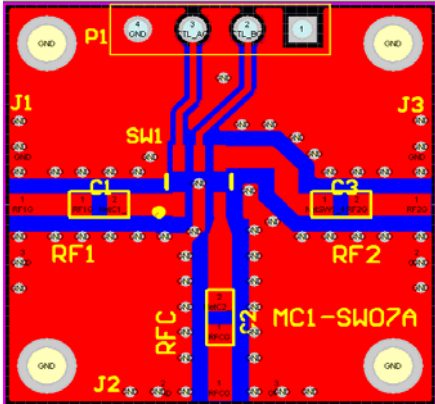


HMC197

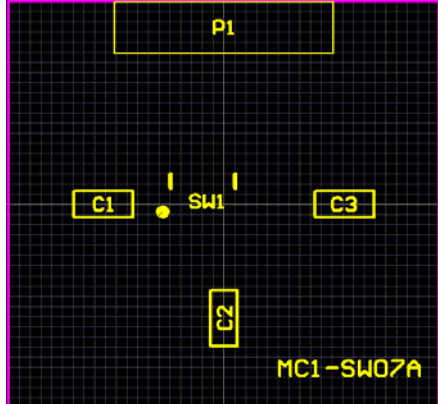
**Schematic:**



**MC1-SW07A PCB Layout:**



**MC1-SW07A Assembly Drawing:**



**Minimum supported devices and its vendors:**

Hittite: HMC197

**Bill of Material Example:**

Used	Part Type	Designator	Footprint
3	10PF	C1 C2 C3	0603
1	IO4	P1	P2_CON4_S
1	SW_HMC197	SW1	SOT-26