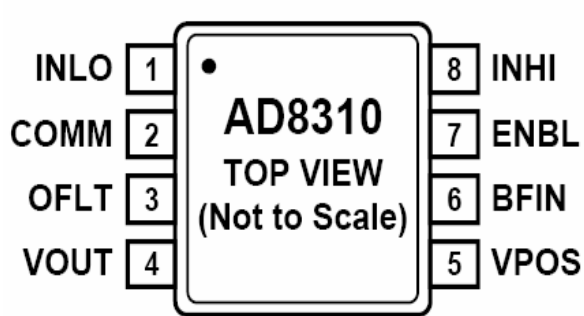


RoHS Compliant & Pb Free Product

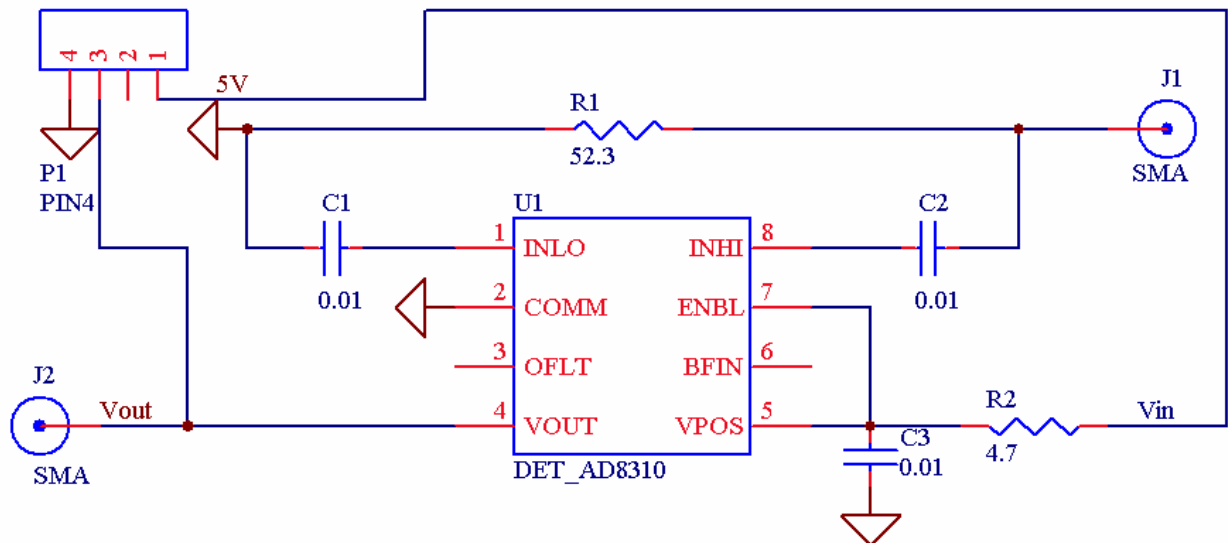
MC1-DE04A

- Category: Detector
- Device Package: MSOP-8
- Cell Size: Single (1x1)
- PCB Material/Layer Details: RO4350/Single layer with thickness 0.020"

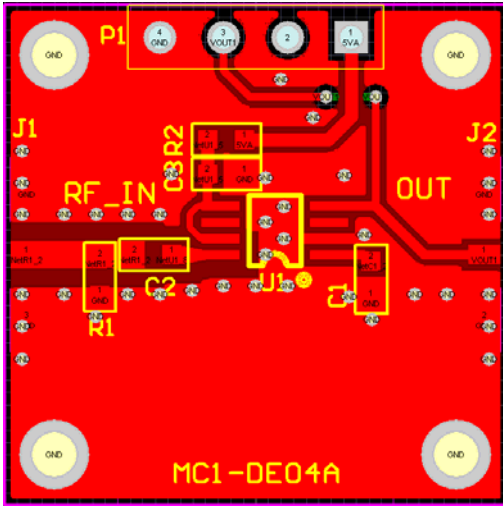
Supported Device Package and Its Pin Allocation:



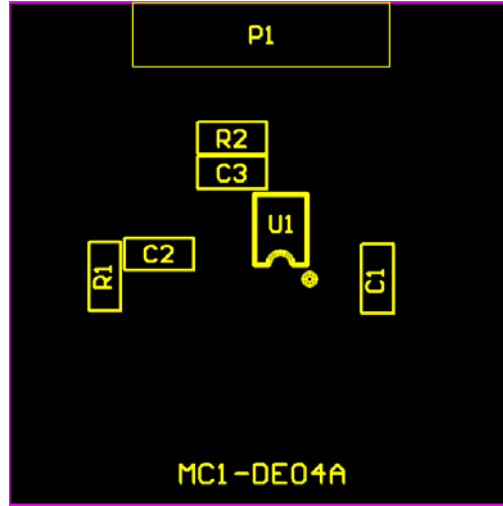
Schematic:



MC1-DE04A PCB Layout:



MC1-DE04A Assembly Drawing:



Minimum supported devices and its vendors:

Analogue Device: AD8310

Bill of Material Example:

Used	Part Type	Designator	Footprint
3	0.01	C1 C2 C3	0603
1	4.7	R2	0603
1	52.3	R1	0603
1	DET_AD8310	U1	MSOP-8
1	PIN4	P1	P2_CON4_S