

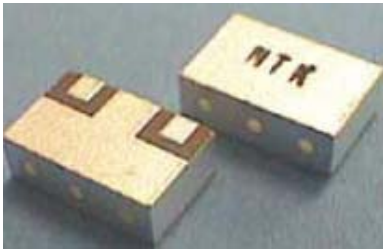
RoHS Compliant & Pb Free Product

MC1-FL05A

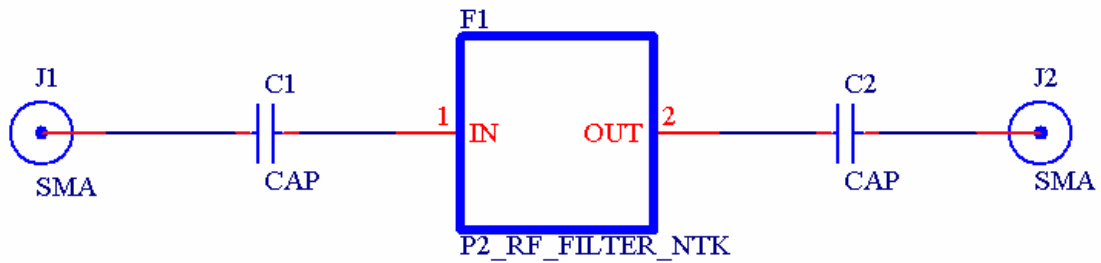
- Category: Filters
- Device Packages : MFE (NTK)
- Cell Size: Single (1x1)
- PCB Material/Layer Details: RO4350/2 layer with thickness 0.020"

Supported Device Package and Its Pin Allocation:

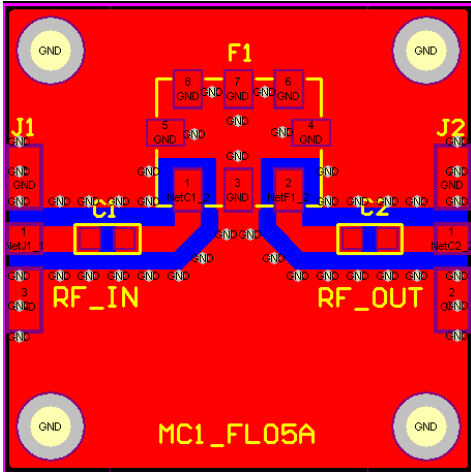
MFE3550



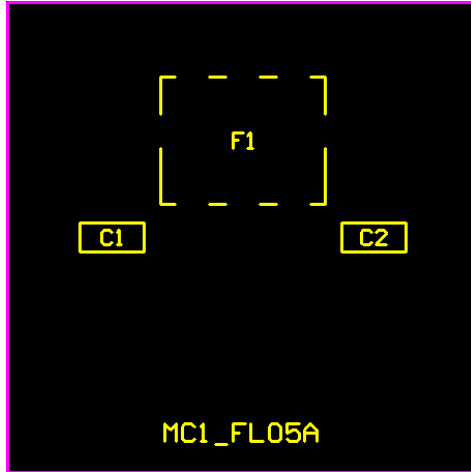
Schematic:



MC1-FL05A PCB Layout:



MC1-FL05A Assembly Drawing:



Minimum supported devices and its vendors:

NTK
MFE3550

Bill of Material Example:

Used	Part Type	Designator	Footprint
2	CAP	C1 C2	0603
1	P2_RF_FILTER_NTK	F1	MFE3550